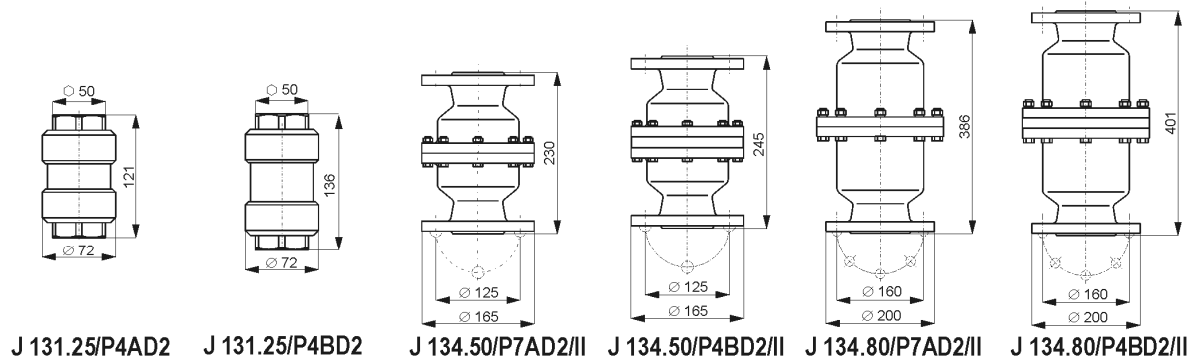
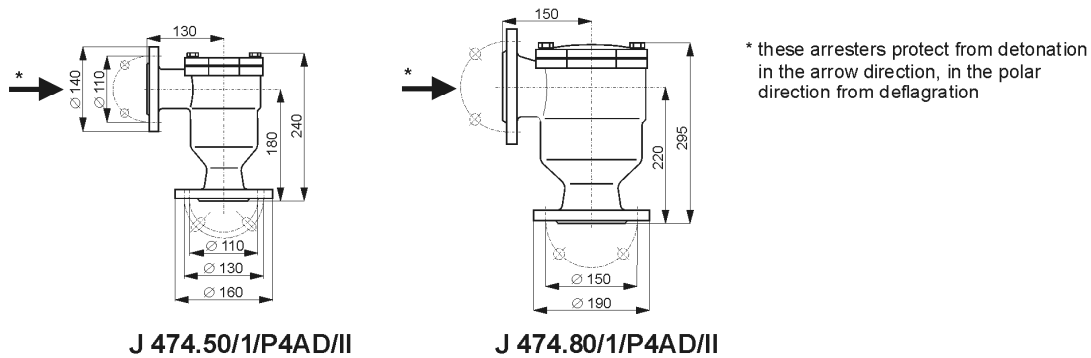


Dimensions of the flame arresters

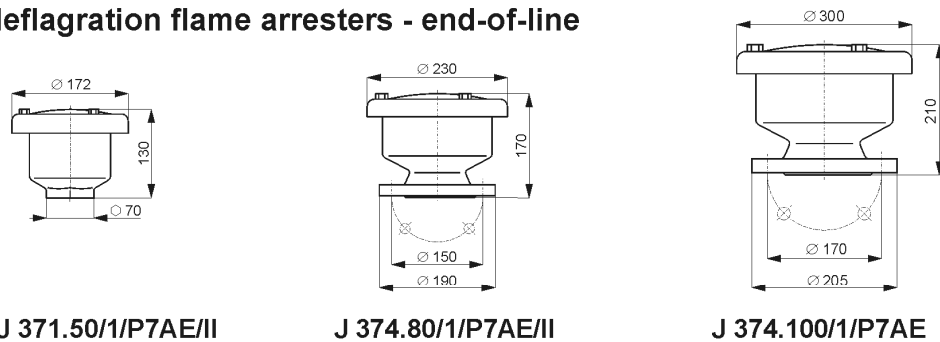
■ J 13x - bi-directional detonation flame arresters - in-line



■ J 47x - unidirectional detonation flame arresters - angular*



■ J 37x - deflagration flame arresters - end-of-line



■ J 34x - deflagration flame arresters - end-of-line with overpressure and underpressure valves

