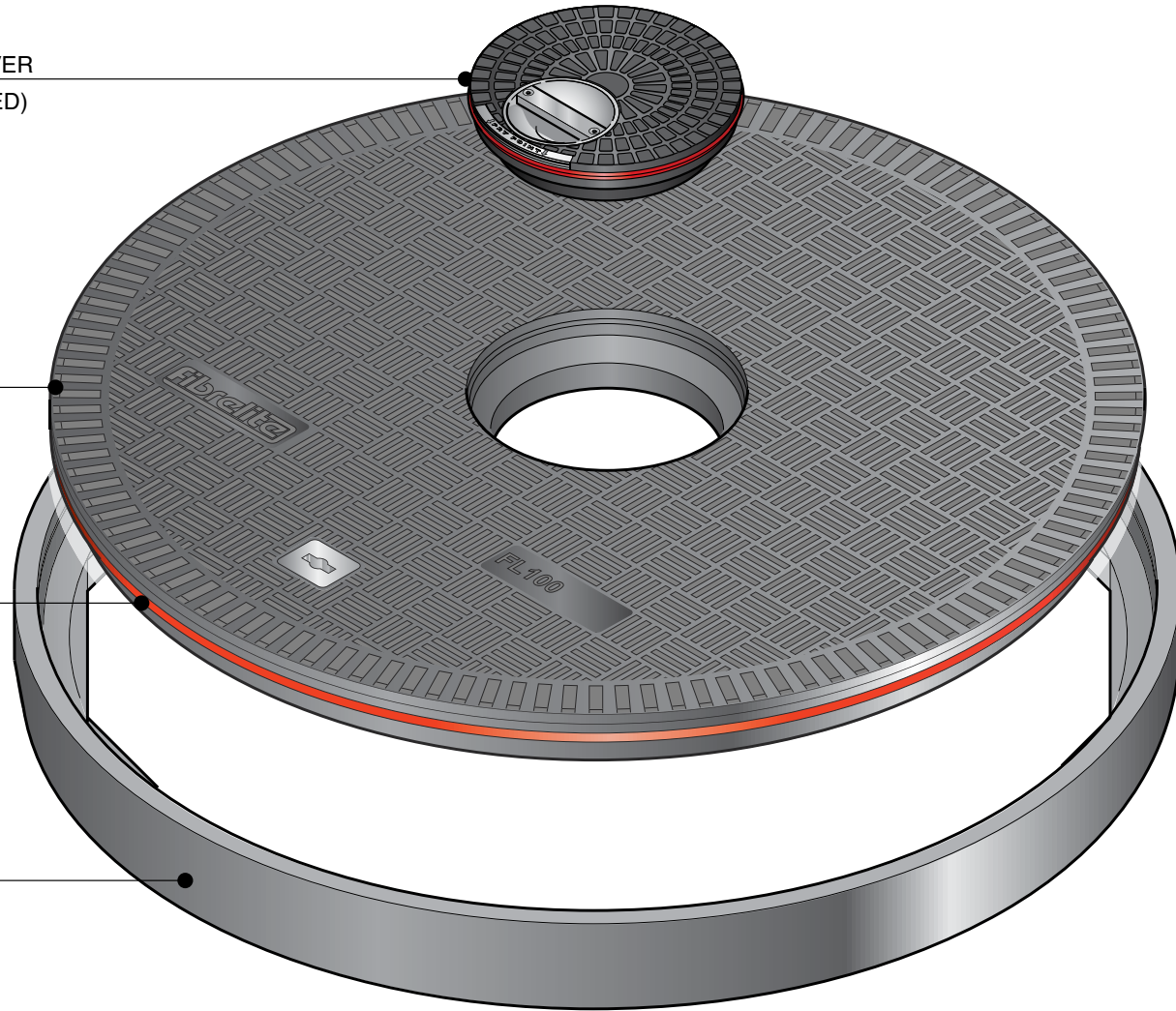


FC-254 SEALED PORT COVER
(AVAILABLE COLOUR CODED)

FL100-CF COVER

FL100 FRAME

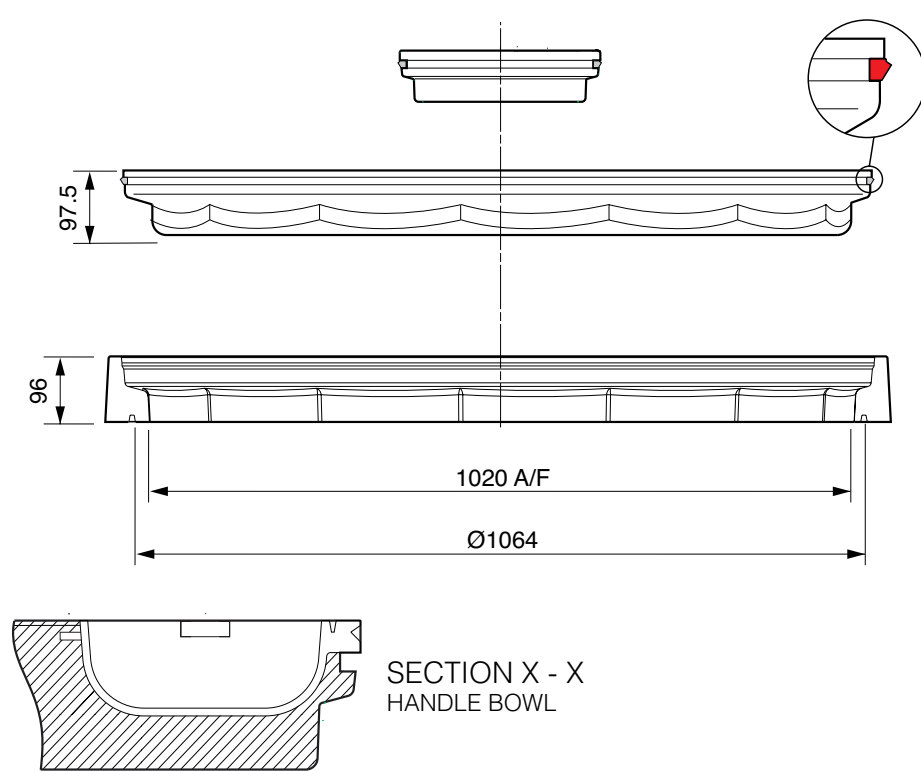
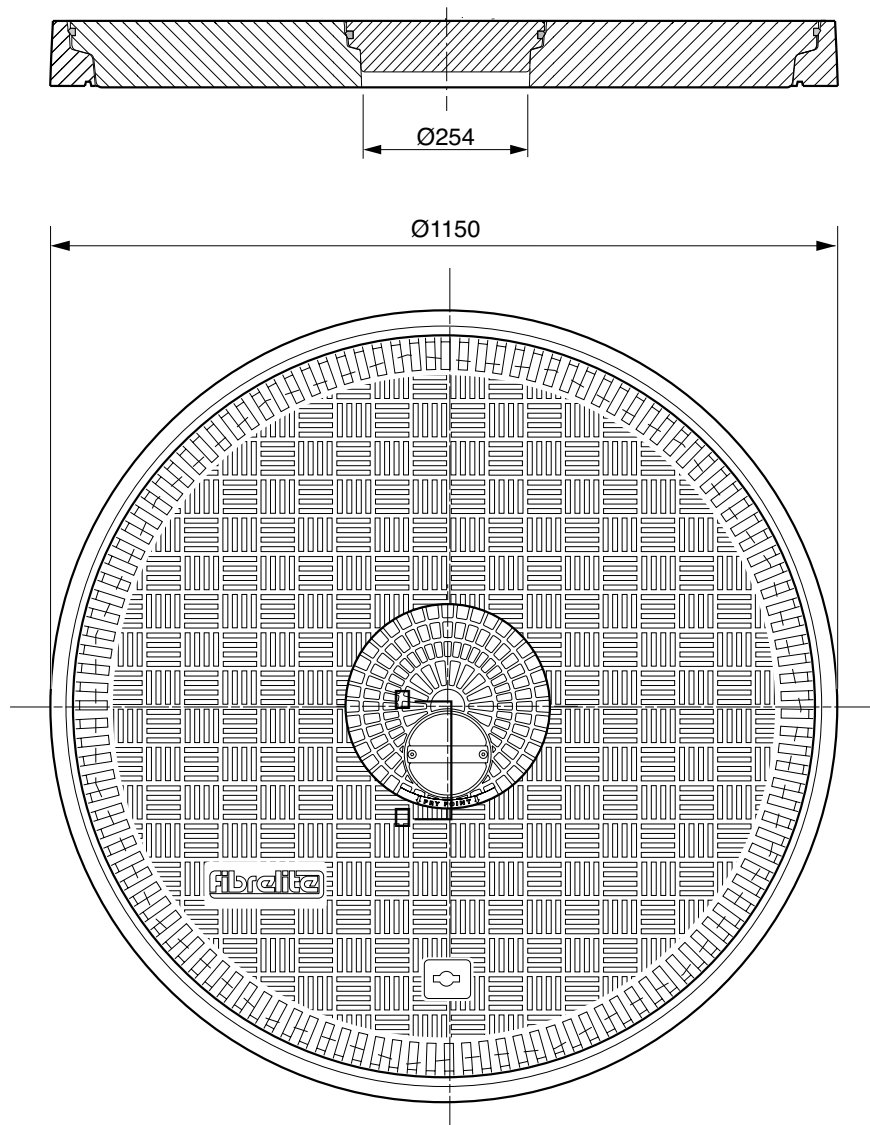
FL100 FRAME



1020mm dia. watertight flat sealed composite cover and frame, with a central fill cover.

For reference purposes only. This drawing is not a specification. Order against product code only. To enable continuous improvement of our products, the designs and specifications are subject to change without notice.

FIBRELITE 
PART OF OPW A DOVER COMPANY



Load Rating	Cover Weight	Frame Weight	Port Cover Weight
C250	49Kg	11Kg	3Kg
D400	55Kg	11Kg	3Kg

1020mm dia. watertight flat sealed composite cover and frame, with a central fill cover.

For reference purposes only. This drawing is not a specification. Order against product code only. To enable continuous improvement of our products, the designs and specifications are subject to change without notice.



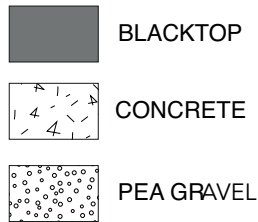
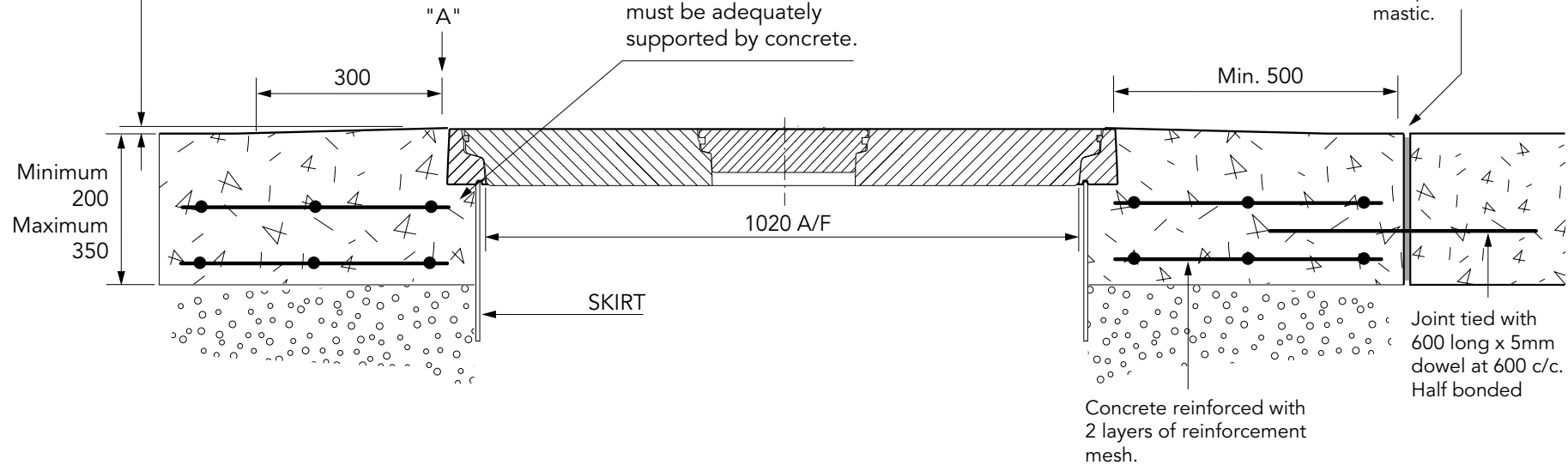
CONCRETE

VERY IMPORTANT

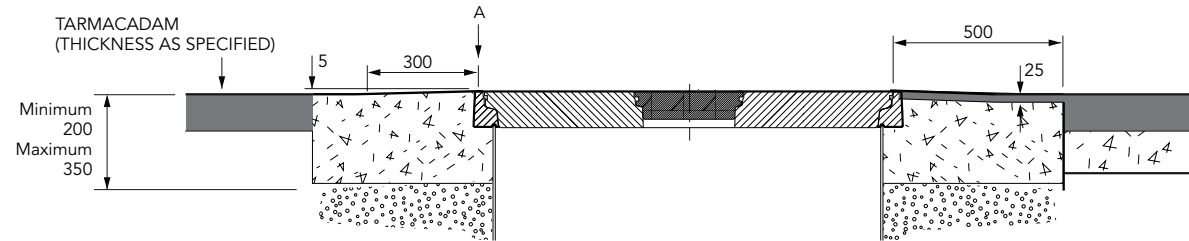
OUTER EDGE "A" OF FRAME SET 5 - 10mm ABOVE GENERAL FORECOURT AREA WITH CONCRETE RAMPED AWAY OVER 300mm

VERY IMPORTANT

The underside of the frame must be adequately supported by concrete.



TARMACADAM



1020mm dia. watertight flat sealed composite cover and frame, with a central fill cover.

For reference purposes only. This drawing is not a specification. Order against product code only. To enable continuous improvement of our products, the designs and specifications are subject to change without notice.

FIBRELITE 
PART OF OPW A DOVER COMPANY