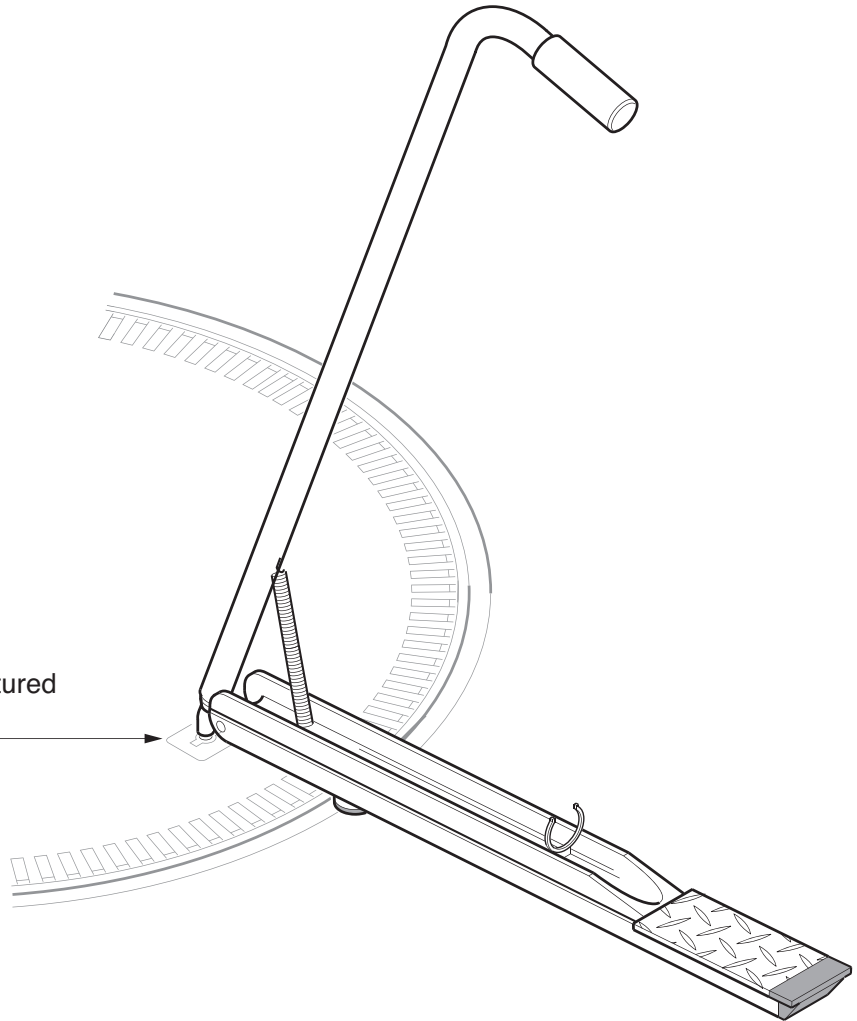
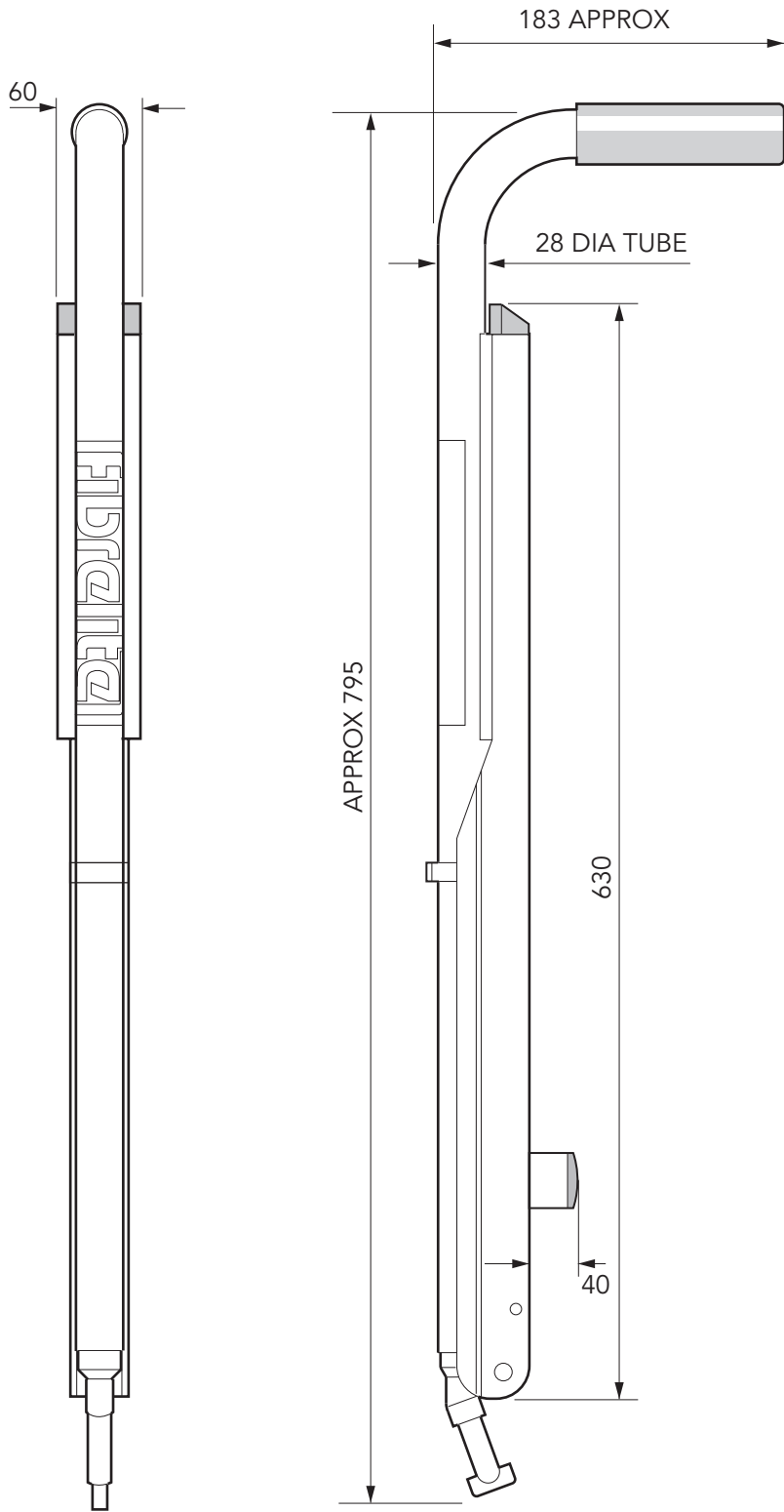




FL7A in its upright position



Cover key housing is manufactured from a non-sparking zinc alloy



Aluminium lifting handle (assisted).

For reference purposes only. This drawing is not a specification. Order against product code only. To enable continuous improvement of our products, the designs and specifications are subject to change without notice.

FIBRELITE 
 PART OF OPW A DOVER COMPANY