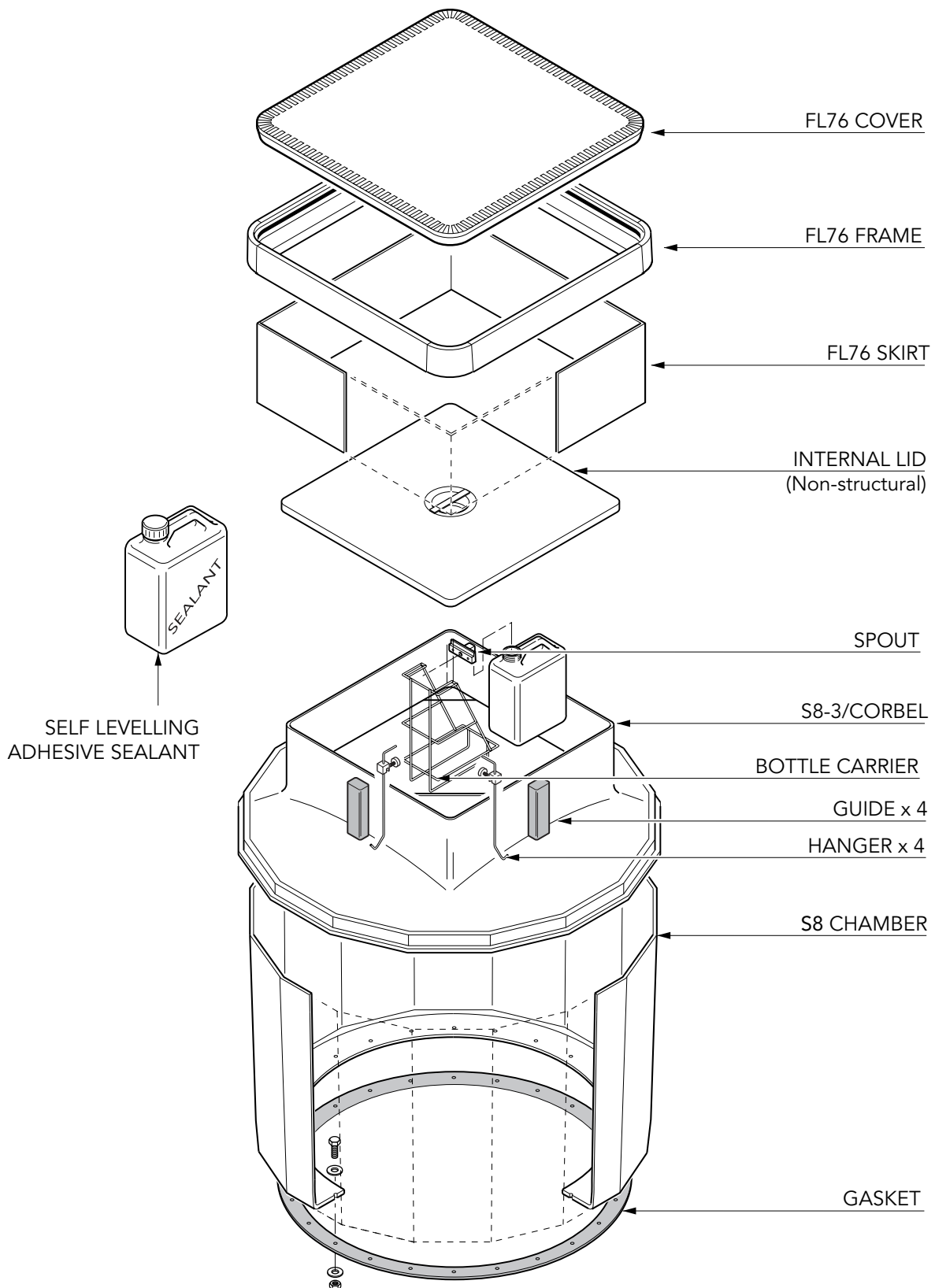


1.2m diameter chamber with corbel, adjustable skirt and square 760mm flat sealed cover. Round tank flange. Corbel/skirt sealkit. Offset Fill.

For reference purposes only. This drawing is not a specification. Order against product code only. To enable continuous improvement of our products, the designs and specifications are subject to change without notice.

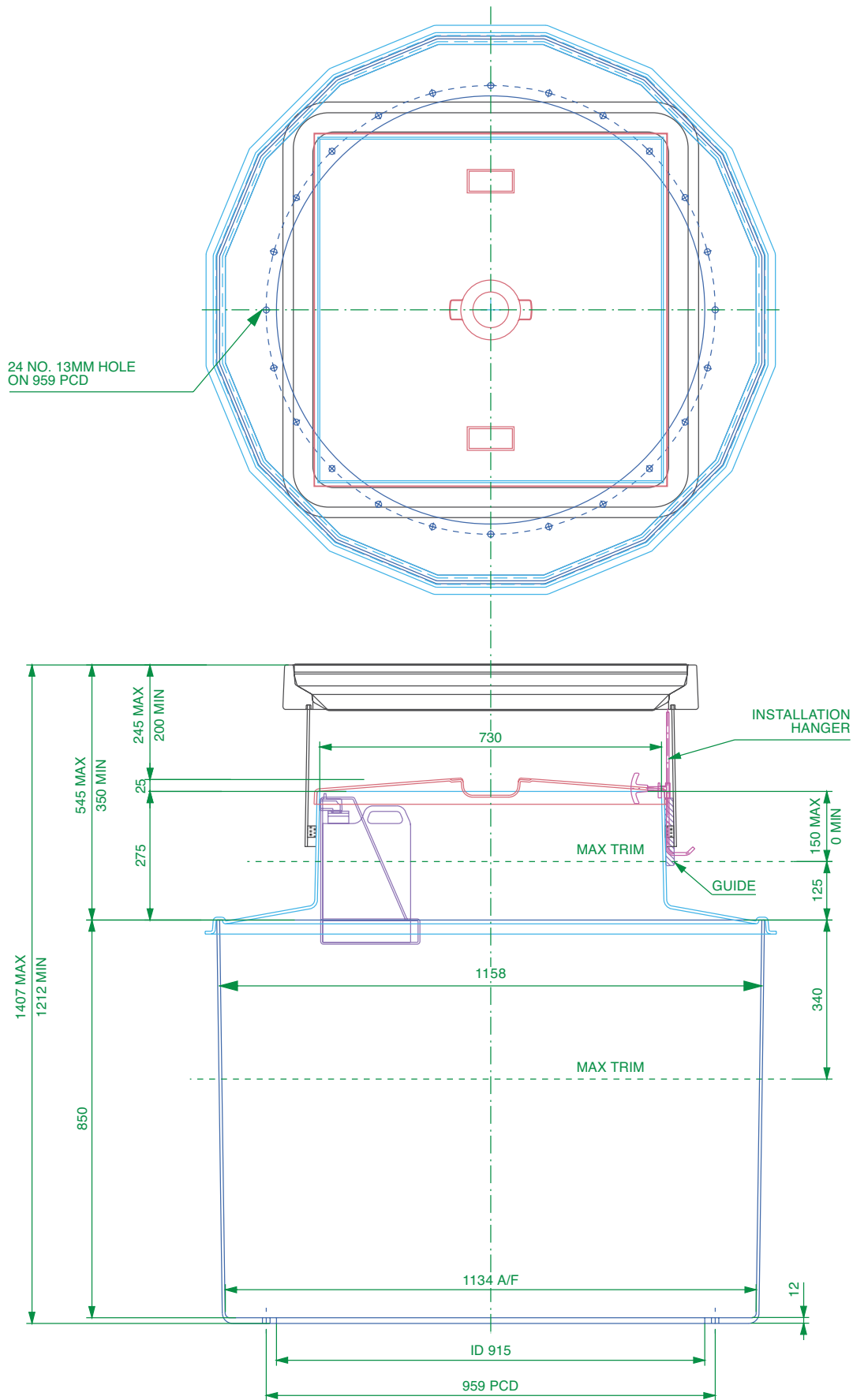
FIBRELITE 
PART OF OPW A DOVER COMPANY



1.2m diameter chamber with corbel, adjustable skirt and square 760mm flat sealed cover. Round tank flange. Corbel/skirt sealkit. Offset Fill.

For reference purposes only. This drawing is not a specification. Order against product code only. To enable continuous improvement of our products, the designs and specifications are subject to change without notice.

FIBRELITE 
PART OF OPW A  COMPANY



1.2m diameter chamber with corbel, adjustable skirt and square 760mm flat sealed cover. Round tank flange. Corbel/skirt sealkit. Offset Fill.

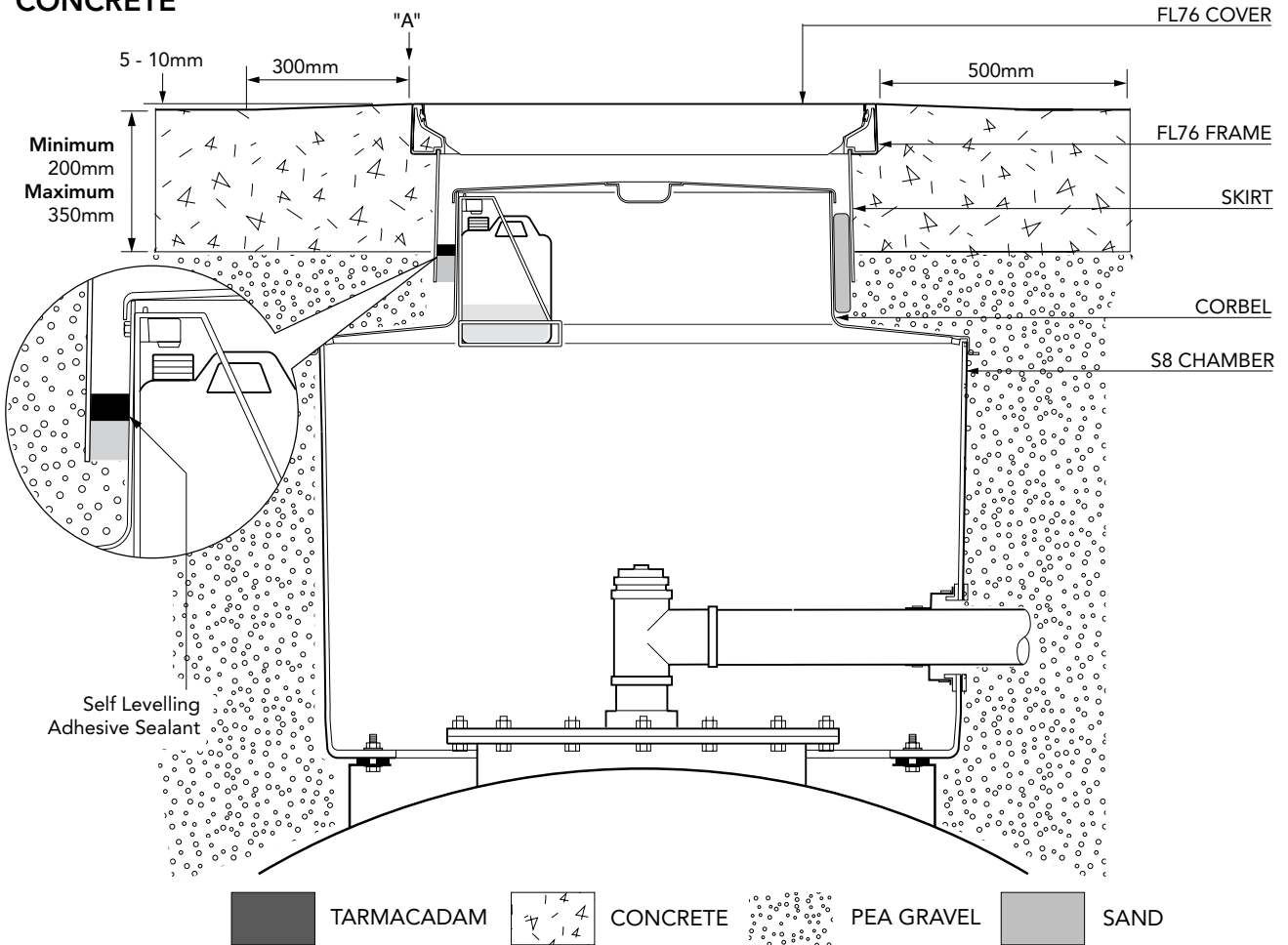
For reference purposes only. This drawing is not a specification. Order against product code only. To enable continuous improvement of our products, the designs and specifications are subject to change without notice.

FIBRELITE 
PART OF OPW A DOVER COMPANY

VERY IMPORTANT
 OUTER EDGE "A" OF FRAME SET 5 - 10MM
 ABOVE GENERAL FORECOURT AREA WITH
 CONCRETE RAMPED AWAY OVER 300MM.

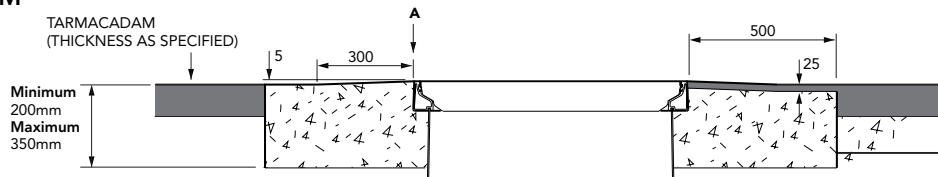
TYPICAL INSTALLATION

CONCRETE

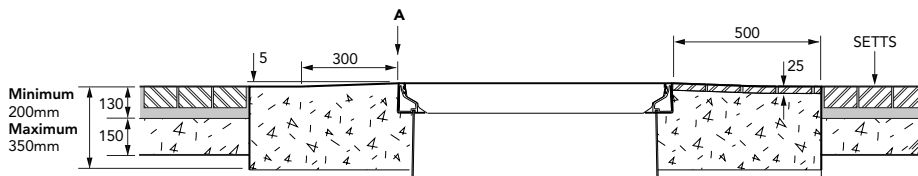


ALTERNATIVE INSTALLATION ADVICE

TARMACADAM



SETTS



System shown with S/CS/SEALKIT

1.2m diameter chamber with corbel, adjustable skirt and square 760mm flat sealed cover. Round tank flange. Corbel/skirt sealkit. Offset Fill.

For reference purposes only. This drawing is not a specification. Order against product code only. To enable continuous improvement of our products, the designs and specifications are subject to change without notice.

