

1462 x 982mm solid base deep sump, sealed corbel, height adjustable skirt, internal lid, flat sealed cover and frame.

For reference purposes only. This drawing is not a specification. Order against product code only. To enable continuous improvement of our products, the designs and specifications are subject to change without notice.

FIBRELITE 
PART OF OPW A DOVER COMPANY

FL140 COVER

FL140 FRAME

FL140-SK300 SKIRT

NON-STRUCTURAL
INTERNAL LID

S-CS-SEALKIT
(Order seperately)

CORBEL

S9D SOLID BASE CHAMBER

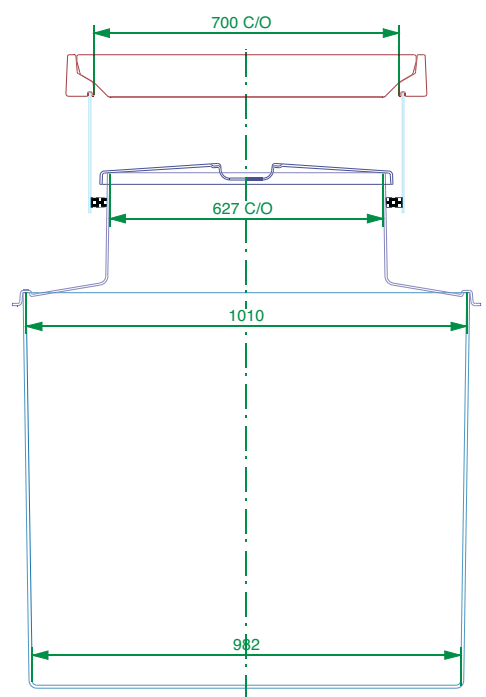
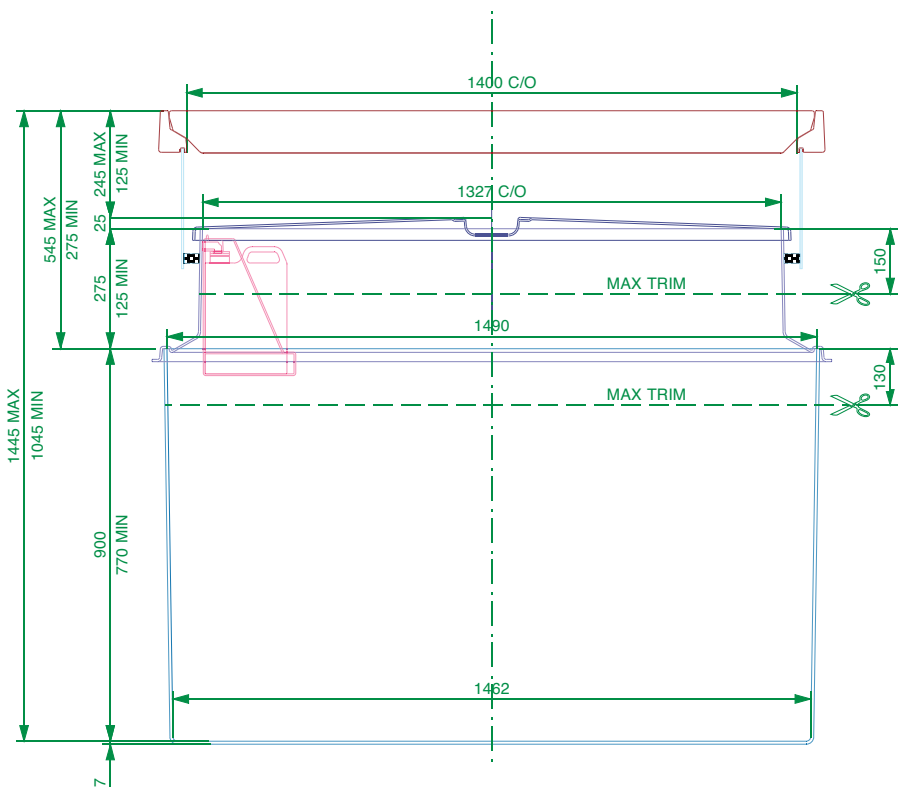
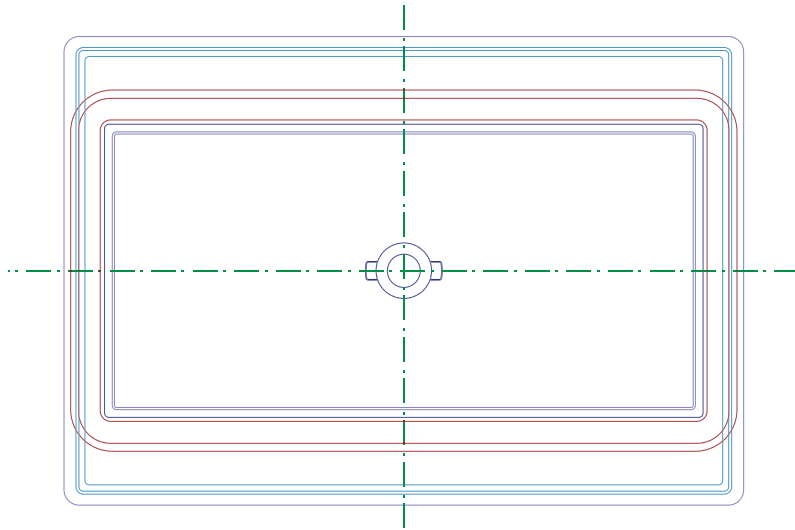


SELF LEVELLING
ADHESIVE SEALANT

1462 x 982mm solid base deep sump, sealed corbel, height adjustable skirt, internal lid, flat sealed cover and frame.

For reference purposes only. This drawing is not a specification. Order against product code only. To enable continuous improvement of our products, the designs and specifications are subject to change without notice.

FIBRELITE 
PART OF OPW A  COMPANY

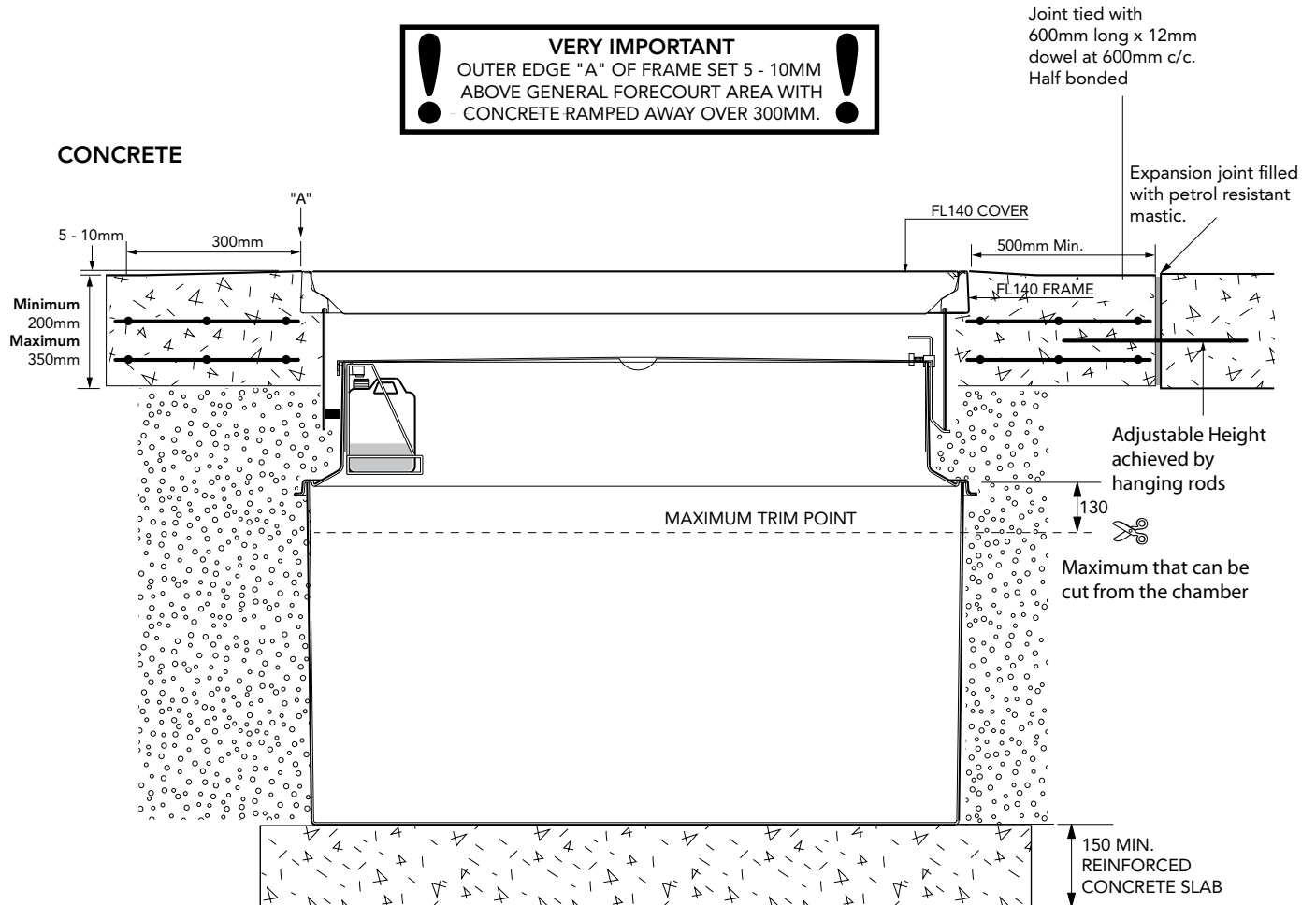


1462 x 982mm solid base deep sump, sealed corbel, height adjustable skirt, internal lid, flat sealed cover and frame.

For reference purposes only. This drawing is not a specification. Order against product code only. To enable continuous improvement of our products, the designs and specifications are subject to change without notice.



! VERY IMPORTANT !
 OUTER EDGE "A" OF FRAME SET 5 - 10MM
 ABOVE GENERAL FORECOURT AREA WITH
 CONCRETE RAMPED AWAY OVER 300MM.



TARMACADAM
 CONCRETE
 PEA GRAVEL
 SAND

1462 x 982mm solid base deep sump, sealed corbel, height adjustable skirt, internal lid, flat sealed cover and frame.

For reference purposes only. This drawing is not a specification. Order against product code only. To enable continuous improvement of our products, the designs and specifications are subject to change without notice.

FIBRELITE
 PART OF OPW A DOVER COMPANY