

Materials

Body: Cast aluminum

Main Stem: Stainless steel

Stem Seal: Graphite with Teflon®

Disc: Viton®

Spout: OPW 296 brass or 297 aluminum (optional)



190-0115
(Spout optional, see Page 201)

Features

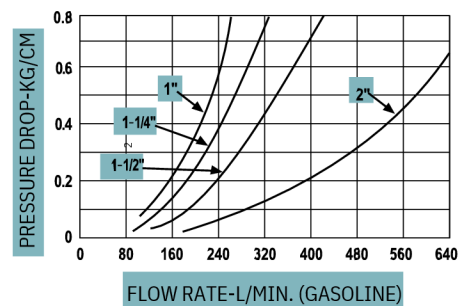
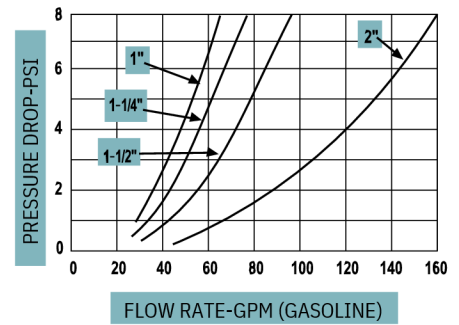
- ◆ Aluminum Body – lighter weight, easier to maneuver.
- ◆ Dual Poppets – allow for low flow metering (this nozzle is not intended for high pressure pump applications).
- ◆ Replaceable Hold-Open Rack – for use when fueling large-capacity tanks. Nozzle must be attended at all times during usage.
- ◆ Right Angle Design – provides larger lever area for better grip and easier control; permits nozzle to fit into awkward spaces close to walls and into corners.
- ◆ Drag Lugs – protect the nozzle when dragged across rough surfaces; enhances long-life durability.
- ◆ Easily Replaced Spout – the spout is easily threaded into the body. Replacement spouts are readily available from OPW.
- ◆ NPT Female Threads at Inlet End – standard pipe threads accept all standard 1", 1-1/4", 1-1/2" and 2" male connections.

Design working pressure

- ◆ 50 psi (3.45 bar) maximum pressure

OPW 190 High-Flow Nozzles For High-Flow, Bulk Fuel Oil Delivery Service

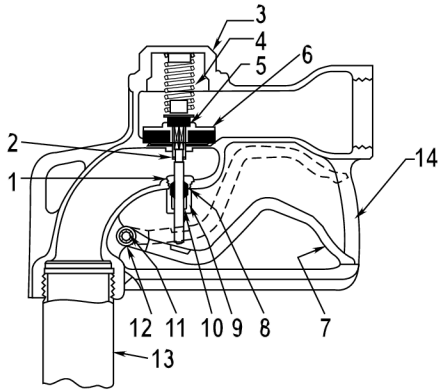
Designed to handle high flow when line pressure is not a critical consideration or otherwise absorbed.



Ordering Specifications

Product #	Inlet Thread		Spout Diameter		lbs.	kg
	in.	mm	in.	mm		
190-0112	1"	25	1 1/4"	32	2.3	1.0
190-0113	1 1/4"	32	1 1/4"	32	2.3	1.0
190-0114	1 1/2"	38	1 1/2"	38	3.0	1.4
190-0115	2"	51	2"	51	5.8	2.6
190G-B104	1 1/2"	38	1 1/2"	38	5.1	2.3

w/ Spout and Ground Wire
Gov't. Nat'l. Stock #: 4930-01-360-5540



Replacement Parts - OPW 190 Nozzles

Key	Part #	Description	190-0112	190-0113	190-0114	190-0115	190-B104
1	H00195RB	Stuffing Box
1	H00250RB	Stuffing Box				.	
2	H00538RE	Stem	.	.	.		
2	H06742RE	Stem				.	
3	H09600AH	Cap	.	.	.		
3	H09601AH	Cap				.	
3	H11592AH	Cap					.
4	H00136M	Spring
4	H03666M	Spring				.	
5	190K-0001	Upper Poppet S/A
5	H01814	Upper Poppet S/A				.	
6	H01817	Upper Poppet S/A
6	H01818	Upper Poppet S/A				.	
7	H11925M	Lever
7	H06733M	Lever				.	
8	C04495M	Packing
9	H07012M	Packing Gland
9	H00520RB	Packing Gland				.	
10	H00113RA	Packing Nut	.	.	.		
10	H00252RA	Packing Nut				.	
10	H00113RAG	Packing Nut					.
11	H08163M	Push Nut
12	H08164RE	Pin
12	H08165RE	Pin				.	
13	297-9020	Spout (optional)	.	.			
13	297-9030	Spout (optional)			.		
13	297-9040	Spout (optional)				.	
13	296-0040	Spout, Brass (optional)		.			
13	296-0060	Spout, Brass (optional)			.		
13	296-0080	Spout, Brass (optional)			.		
14	C04698M	Rack
14	H14105M	Screw
Not Shown							
	296CA-4000	Dust Cap					.
	153-0910	Strainer					.