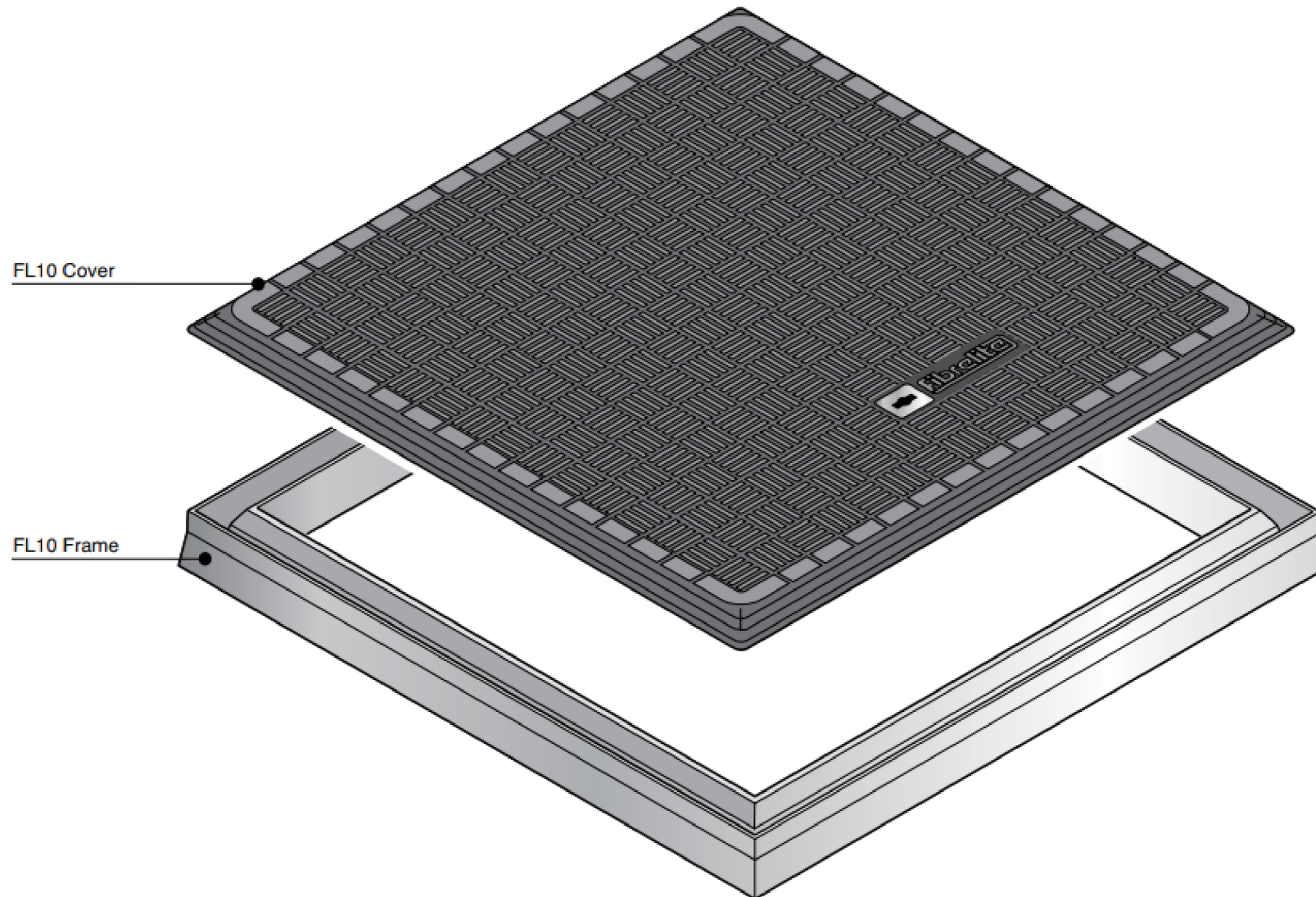
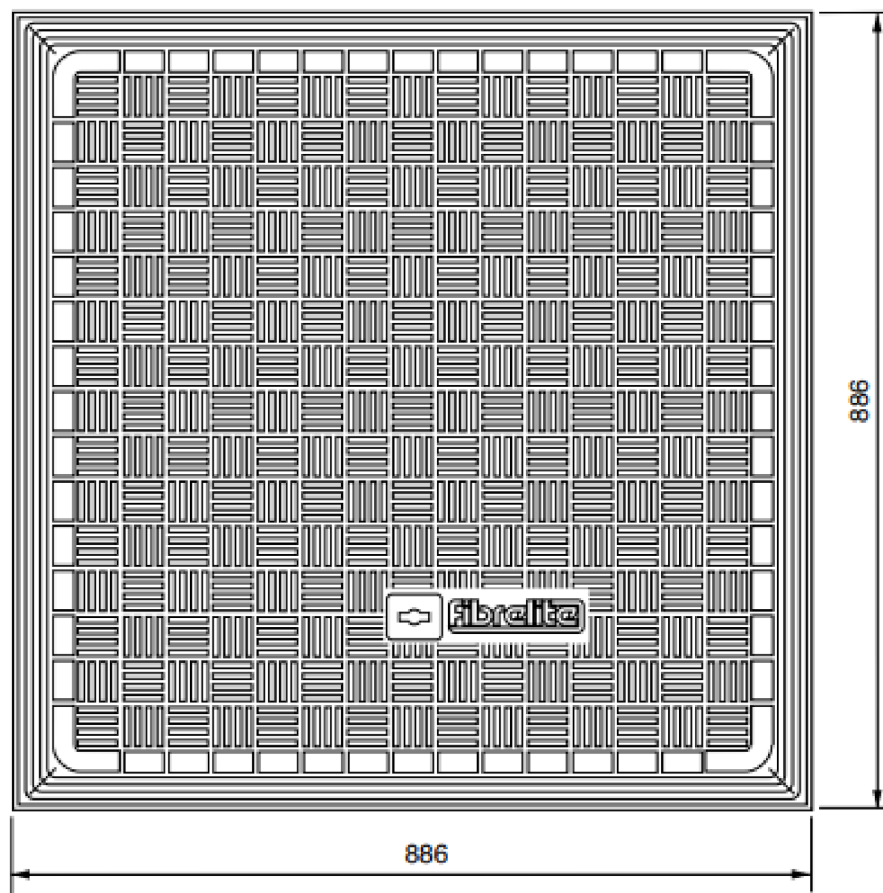
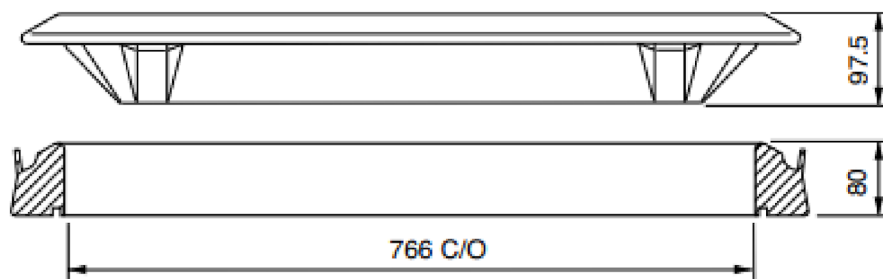


## FL10





Load Rating	Cover Weight	Frame Weight
C250	30 kg	9 kg

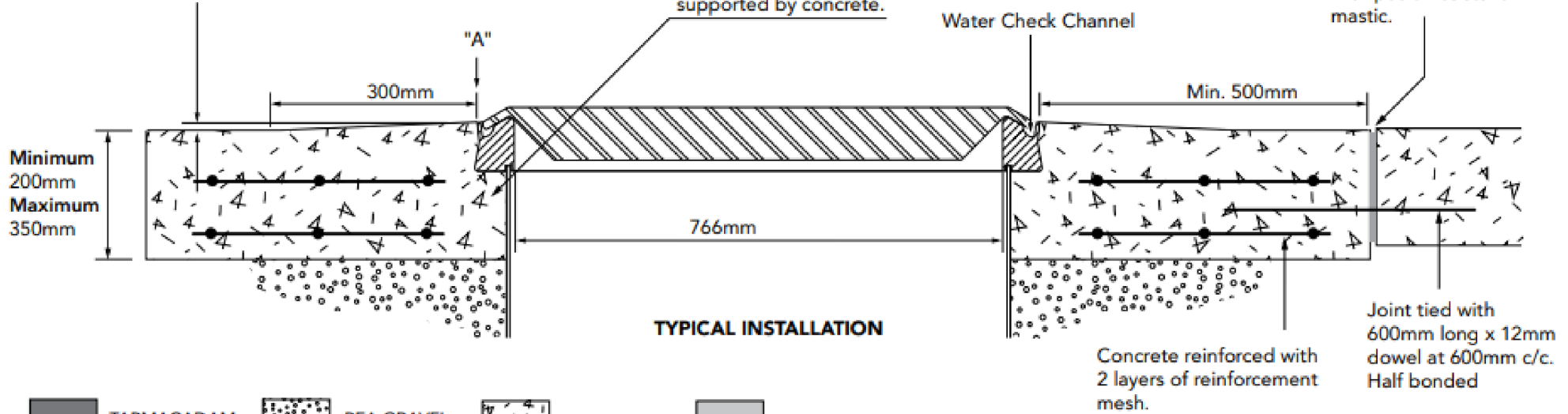
## CONCRETE

### VERY IMPORTANT

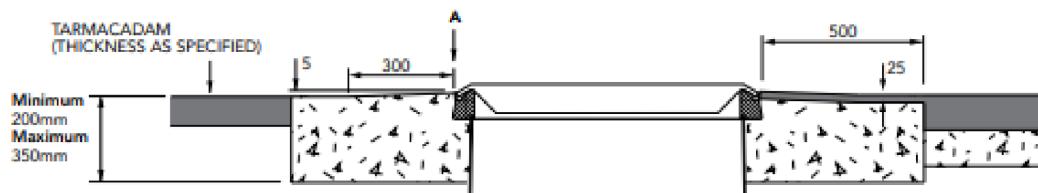
Outer edge "A" of frame set 5 - 10mm above general forecourt area with concrete ramped away over 300mm.

### VERY IMPORTANT

The underside of the frame must be adequately supported by concrete.



## TARMACADAM



## SETTS

