

## FL76-CD

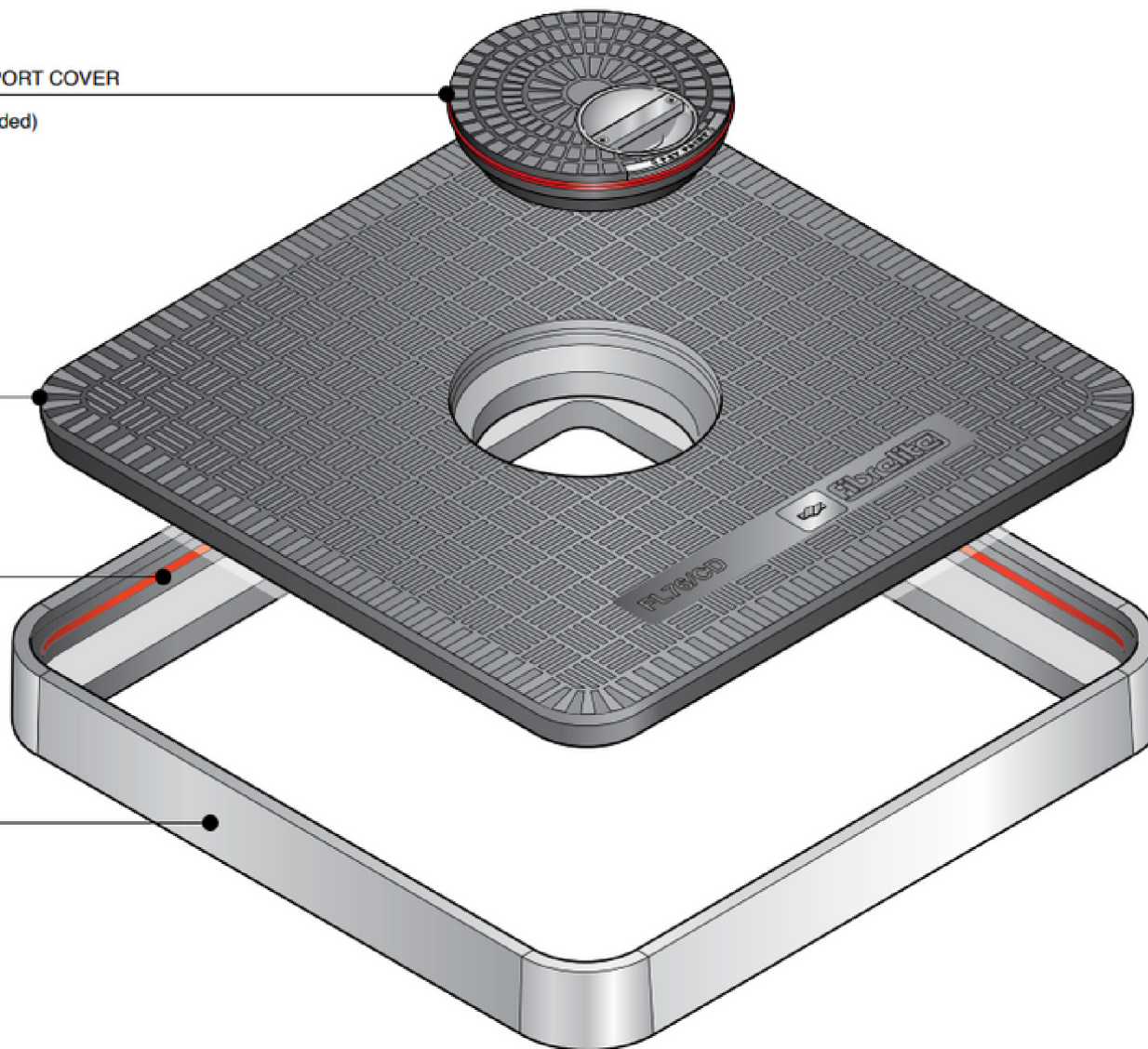
FC-254 CENTRAL PORT COVER

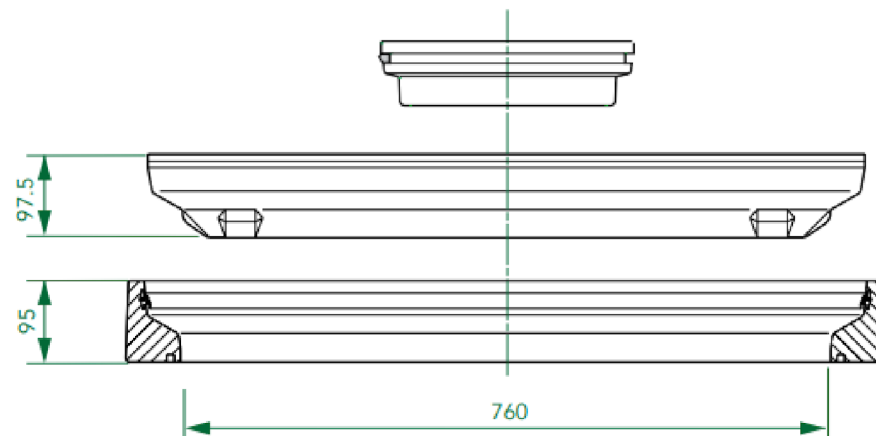
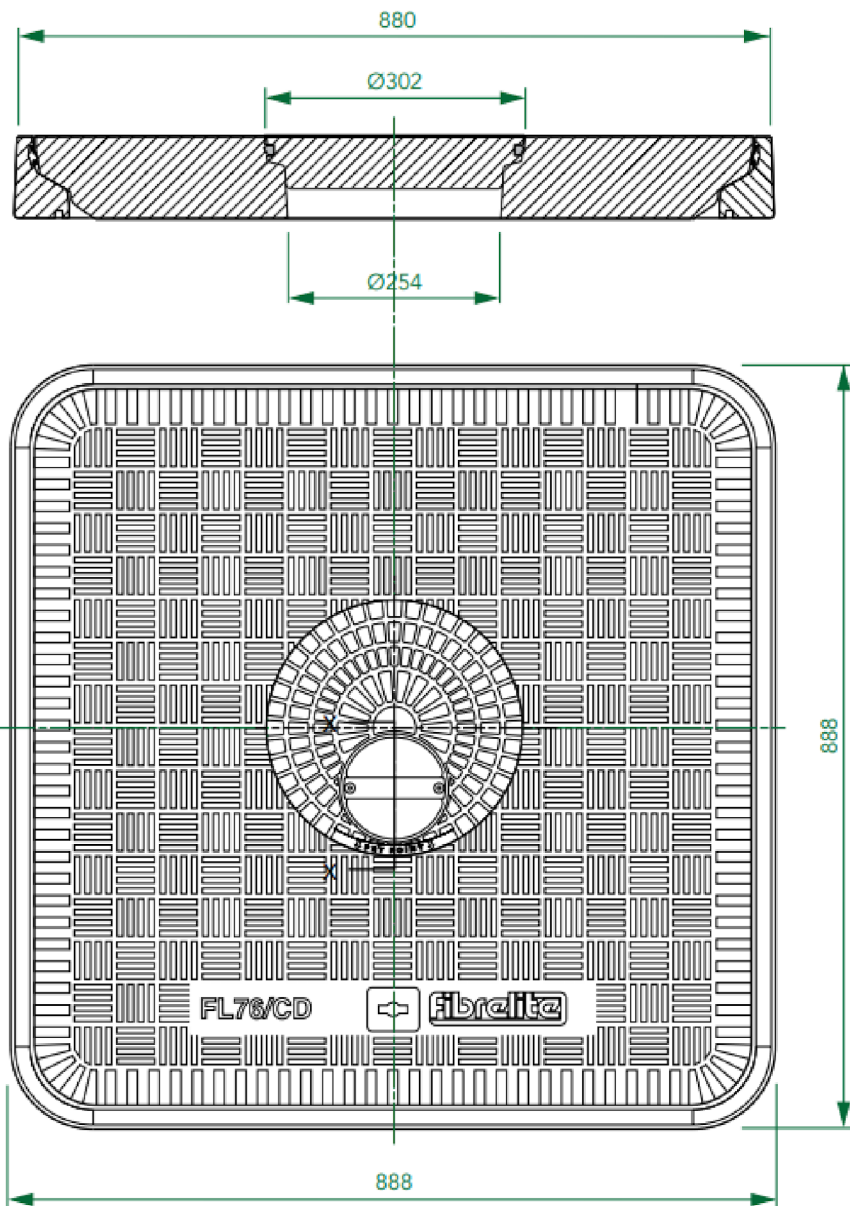
(Available Colour Coded)

FL76/CD COVER

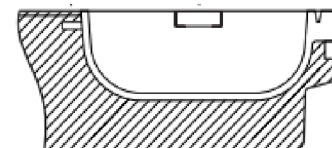
SEAL

FL76 FRAME





Load Rating	Cover Weight	Frame Weight
C250	29 kg	12 kg
D400	39 kg	12 kg



SECTION X - X  
HANDLE BOWL

## CONCRETE

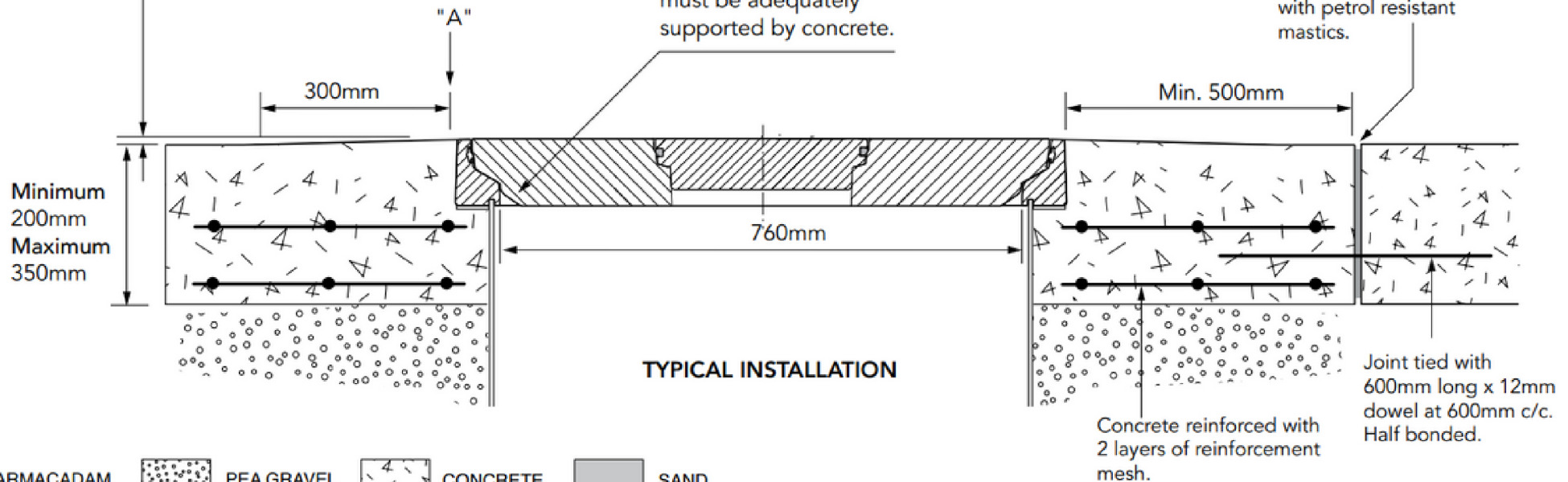
### VERY IMPORTANT

OUTER EDGE "A" OF FRAME SET 5MM ABOVE GENERAL FORECOURT AREA WITH CONCRETE RAMPED AWAY OVER 300MM

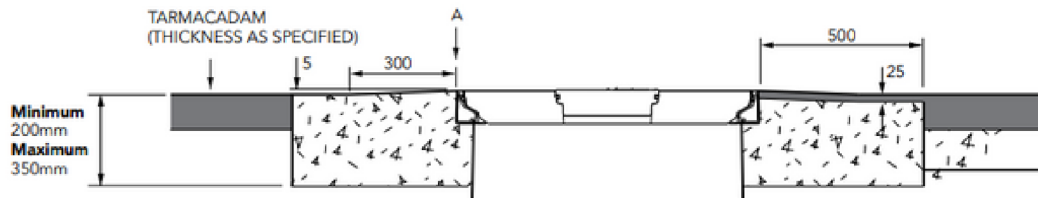
### VERY IMPORTANT

The underside of the frame must be adequately supported by concrete.

Expansion joint filled with petrol resistant mastics.



## TARMACADAM



## SETTS

